

Communications & Power Industries Coaxial Magnetron



FEATURES:

- Frequency 9.365 – 9.385 GHz
- Peak power output 70 kW
- Duty cycle .001
- Anode voltage 15 kV
- Anode current 15 amps
- Pulse width 5.0 microseconds
- Heater 12.6 volts @ 2.2 amps
- Conduction cooled
- Fixed frequency

BENEFITS:

- Long life
- Exceptional frequency stability

APPLICATIONS:

- Air traffic control radars

CPI X-Band 70 kW Coaxial Magnetron: SFD377C

Electrical Specifications

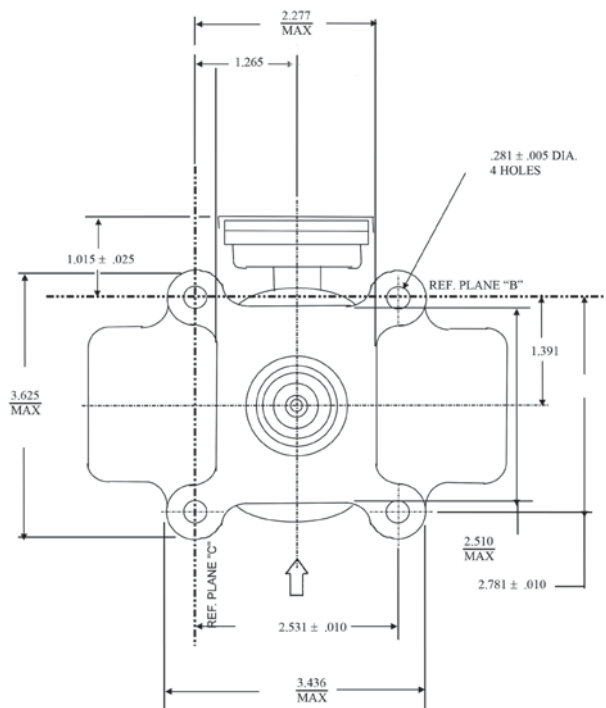
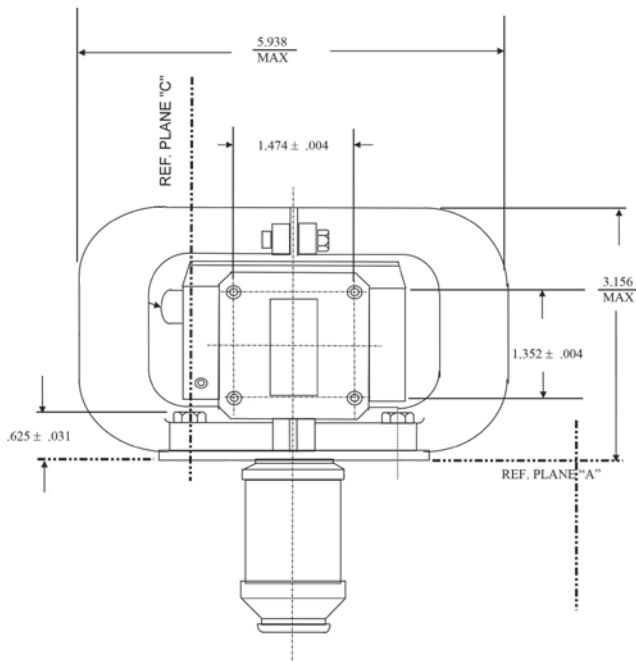
Frequency	9.365 – 9.385 GHz
Peak Power Output	70 kW
Average Power Output	77 W
Pulse Voltage	14.5 – 15.0 kV
Peak Anode Current	15 A
Average Anode Current	15 mA
Pulse Width	5.0 μ S
Duty Cycle	0.0011
Maximum Filament Voltage	14 V
Maximum Filament Current	2.6 A
Minimum Warm-Up Time	120 S
Maximum Load VSWR	1.5:1

Mechanical and Environmental Specifications

Cooling	Forced air
Maximum Body Temperature	150°C
Mounting Position	Any
Support	Mounting Flange
Coupling	WR112 mates with UG-52 A/U waveguide flange
Weight	7.5 lbs. (3.4 kg)

With a history of producing high quality products, we can help your with magnetron.

Contact us at BMDMarketing@cpii.com or call us at +1 978-922-6000.



Beverly Microwave Division
150 Sohier Road
Beverly, Massachusetts
USA 01915

tel +1 978-922-6000
email BMDMarketing@cpii.com
fax +1 978-922-8914
web www.cpii.com

For more detailed information, please refer to the corresponding CPI technical description if one has been published, or contact CPI. Specifications may change without notice as a result of additional data or product refinement. Please contact CPI before using this information for system design.

©2020 Communications & Power Industries LLC. Company proprietary; use and reproduction is strictly prohibited without written authorization from CPI.